

# AVC-VA92VLT

**AVYCON**  
HD TVI / EX SDI & HD SDI / ANALOG

**HD OVER COAX & UTP**

### Smart IR™

Equipped with Smart IR™ technology which prevents overly exposed image due to IR reflection. It also balances out the night time image if IR is being reflected off of a closer object.



### Heater & Thermostat Module

Camera has on-board heater & thermostat module which allows continuous operation on temperature below -22 degrees in Fahrenheit.



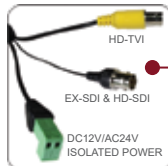
### IDP™ Isolation Dual Power

Our patent pending IDP™ Isolation power will provide power to the camera more efficiently and safely by protecting the camera from surge, ground noise, and etc. (Available on DC12V/24VAC models only)



### High Quality DC Iris Varifocal Lens

High quality DC Iris 4x Megapixel Zoom Lens (2.8-12mm) provides superior picture quality which is very important for today's high definition cameras. (Available on "VLT" models only)



### Dual HD Video Output

Both EX-SDI/HD-SDI and HD-TVI output provide Full HD @ 30fps real-time video simultaneously. This feature allows to connect up to 2 High Definition DVR's or 1 High Definition DVR and 1 Live High Definition TV/Monitor at the same time.

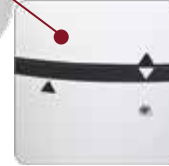
### AQUA-SEAL™ Design Rated for IP68

Fully water-sealed for harsh weather environment and protects from corrosion that commonly appears on conventional cameras.

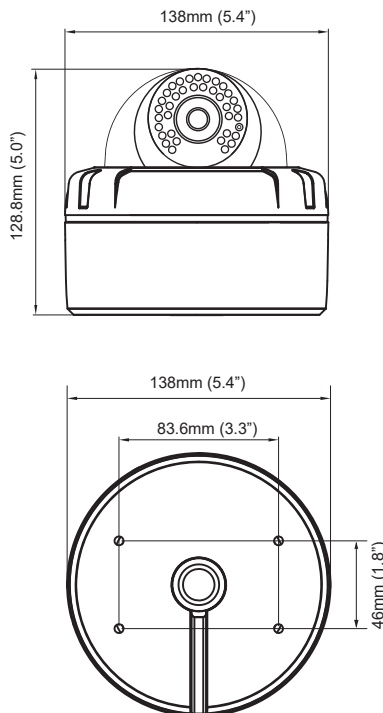


### Twist-Lock™ Base Tray (Included)

Hassle free twist and lock design saves time during installation. It also has enough room for cable storage and can be used as a junction box.



**Vandal Proof Dome** The camera housing is made with industrial strength steel-alloy metal with high quality poly-carbon dome cover protecting from most severe vandalism.



\* Unit : mm (Inch)

DESCRIPTION	NTSC	PAL
IMAGE SENSOR	1/2.9" 2.4MEGAPIXEL SONY EXMOR CMOS	
EFFECTIVE PIXEL	1920 (H) × 1080 (V) = 2.4M	
SCANNING SYSTEM	PROGRESSIVE	
SYNCHRONIZATION	INTERNAL	
HORIZONTAL RESOLUTION	1080P	
VIDEO OUTPUT	HD-TVI, EX-SDI/HD-SDI, CVBS (OSD SELECTABLE)	
S/N (Y SIGNAL)	MORE THAN 52dB	
MIN. ILLUMINATION	0.02Lux (SENS-UP X32)	
IRIS ADJUSTMENT	ALC / ELC	
LENS	2.8~12mm MP DC AUTO IRIS VARIFOCAL LENS (ICR)	
ELECTRONIC SHUTTER	AUTO (1/30~1/60,000)	AUTO (1/25~1/60,000) FLK
OSD LANGUAGE	ENG / CHN / CHN[S] / JPN / KOR	
BACKLIGHT COMPENSATION	OFF / HLC / BLC / WDR	
DAY & NIGHT	COLOR / BW / EXTERN / AUTO	
WDR	OFF / LOW / MIDDLE / HIGH	
AUTO GAIN CONTROL	LEVEL (0~20) ADJUSTMENT	
WHITE BALANCE	AUTO / AUTODEXT / PRESET / MANUAL	
PRIVACY MASKING	ON / OFF (PROGRAMMABLE 16 ZONES)	
DNR	OFF / LOW / MIDDLE / HIGH	
SMART IR (ANTI-SAT)	ANTI-SET (0~20) ADJUSTMENT	
LSC	ON / OFF	
GAMMA	0.45 / 0.5 / 0.55 / 0.6 / 0.65	
DEFOG	ON / OFF	
DIGITAL ZOOM	ON / OFF (X1 ~ X8.0)	
DEAD PIXEL COMPENSATION	LIVE DPC / DPC SET	
SENS-UP	OFF / X2~X32	
MOTION	4 AREA	
DIGITAL EFFECT	OFF / V-FLIP / MIRROR / ROTATE	
COMMUNICATION	UTC	
IR LED	36 PCS	
INPUT VOLTAGE	DC 12V(±10%) / AC 24V (±10%)	
POWER CONSUMPTION	DC IR OFF : 200mA (MAX) / DC IR ON : 450mA (MAX) AC IR OFF : 190mA (MAX) / AC IR ON : 350mA (MAX)	
OPERATING TEMP. / HUM.	-30°C ~ 50°C (-22°F ~ 122°F) / MAX 90% RH	
STORAGE TEMP. / HUM.	-20°C ~ +60°C / MAX 90% RH	